

**UES**  
ENGINEERING

VERNON, BC  
TEL: (250) 275-4939  
FAX: (250) 275-4938

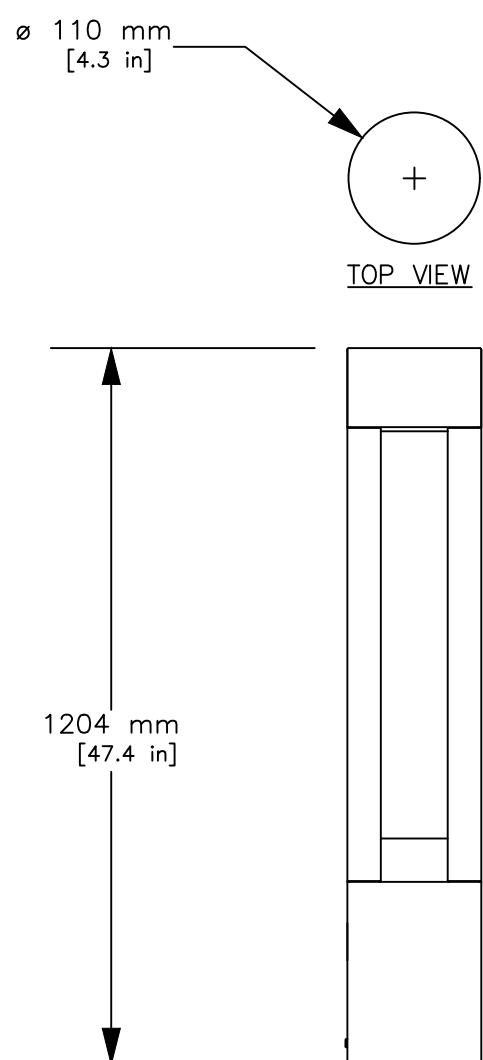
No.	DATE	DESCRIPTION	BY	APP
1	JUL 31/22	ISSUED FOR REVIEW	JB	TDK
ISSUES / REVISIONS				
CONSULTANT SEAL				

**TOWN  
OF  
OLIVER**

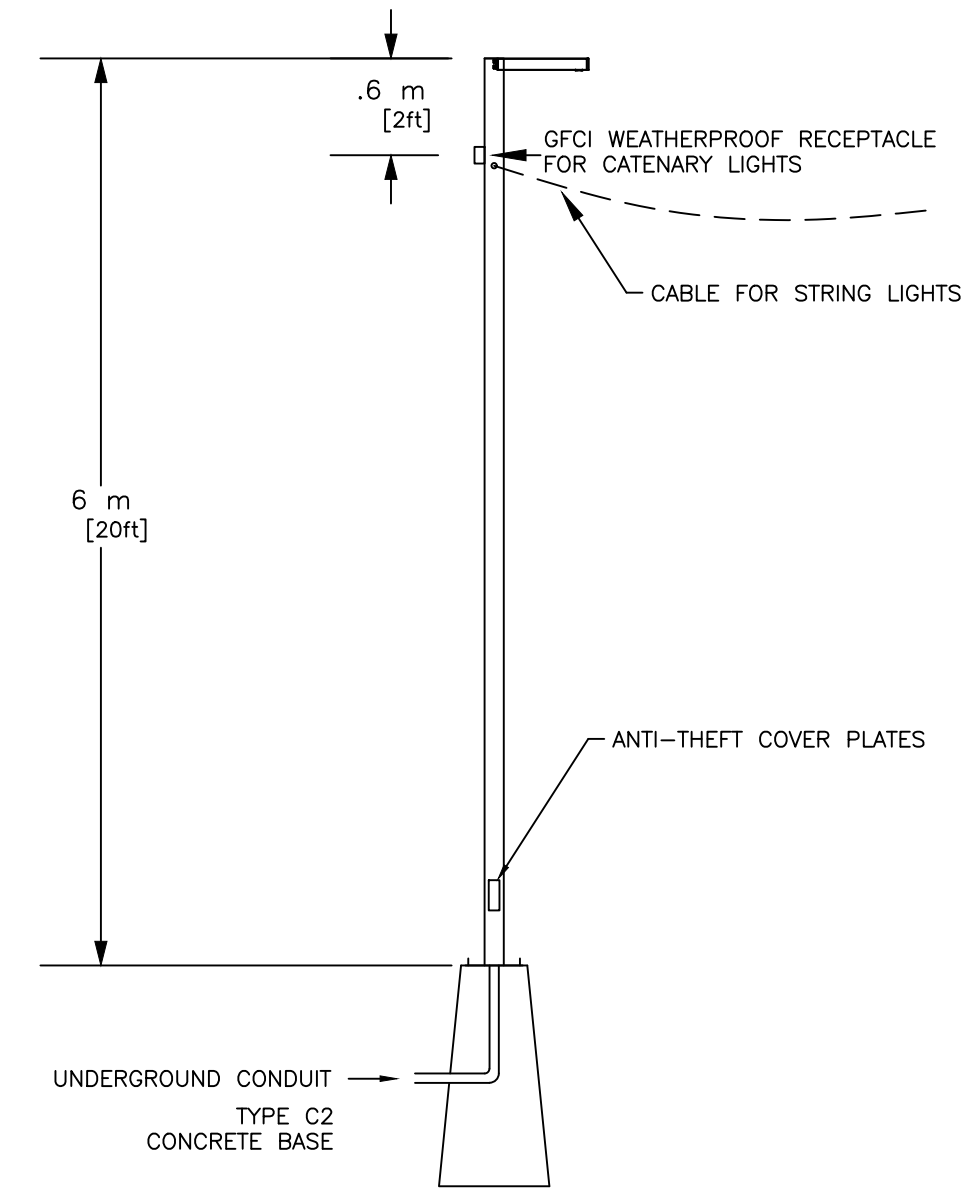
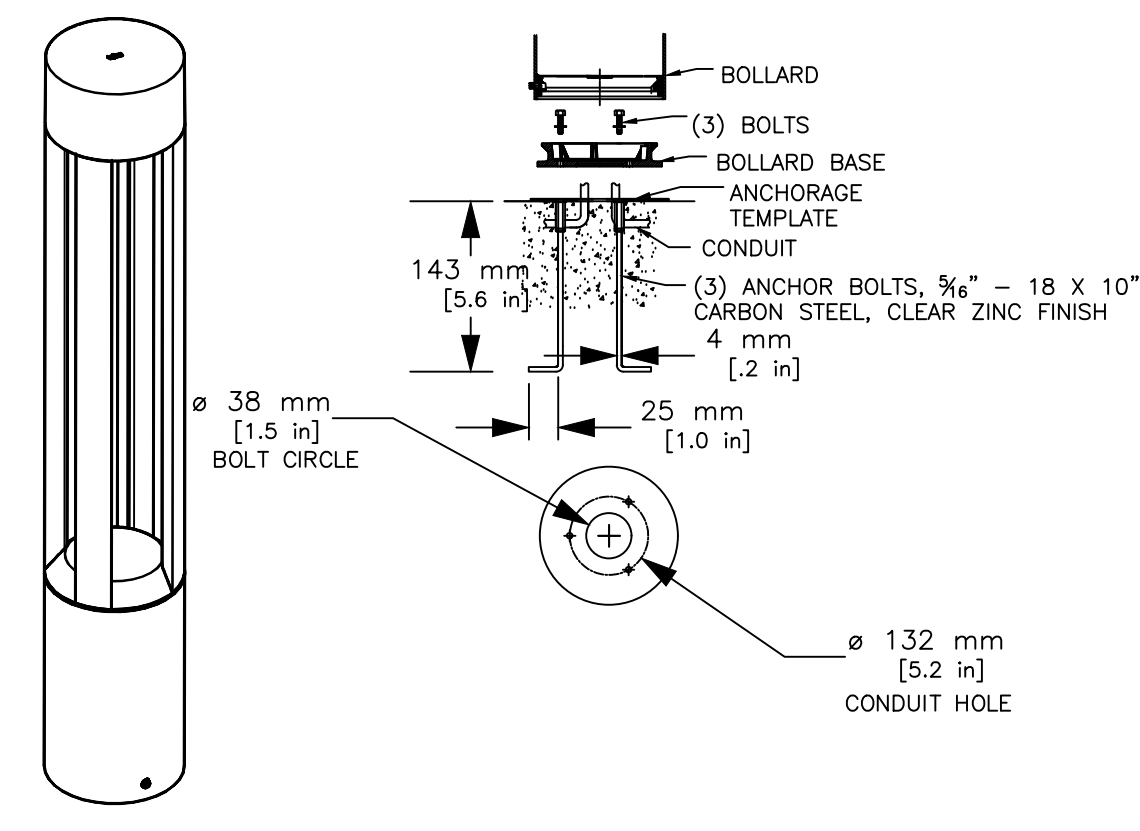
**STATION STREET  
PARK  
DEVELOPMENT**

**ELECTRICAL  
LAYOUT PLAN**

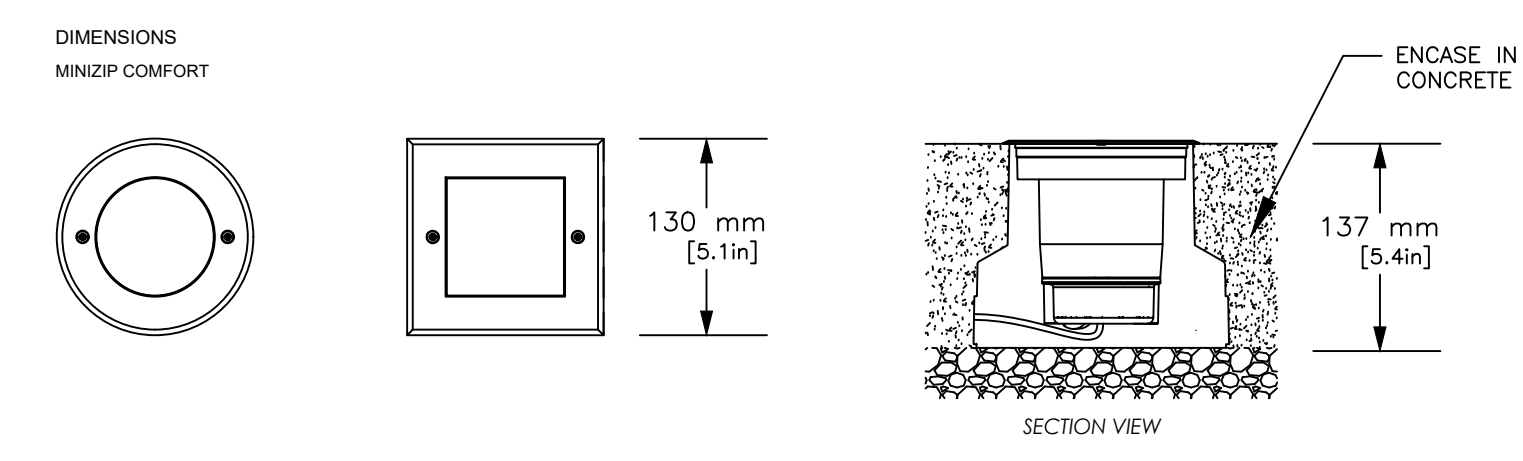
SCALE	AS SHOWN
DESIGN BY	JB
DRAWN BY	JB
DATE	JULY 2022
PROJECT REFERENCE No.	102-258
DRAWING No.	102-258 <b>E1</b>
SHEET	1 OF 2
REVISION	1



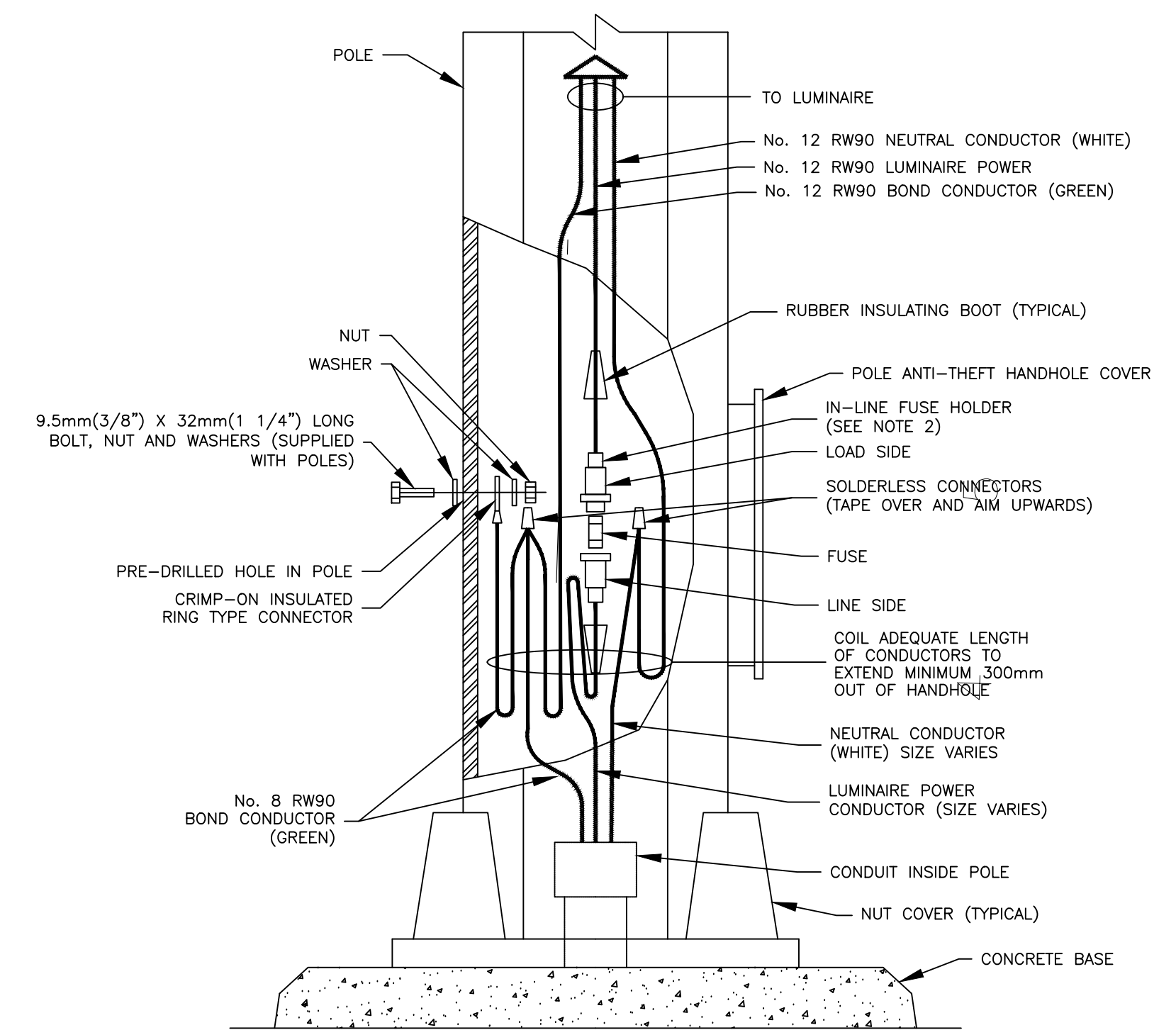
**TYPE BL DETAIL**  
SCALE: NTS



**TYPE 4 POLE DETAIL**  
SCALE: NTS



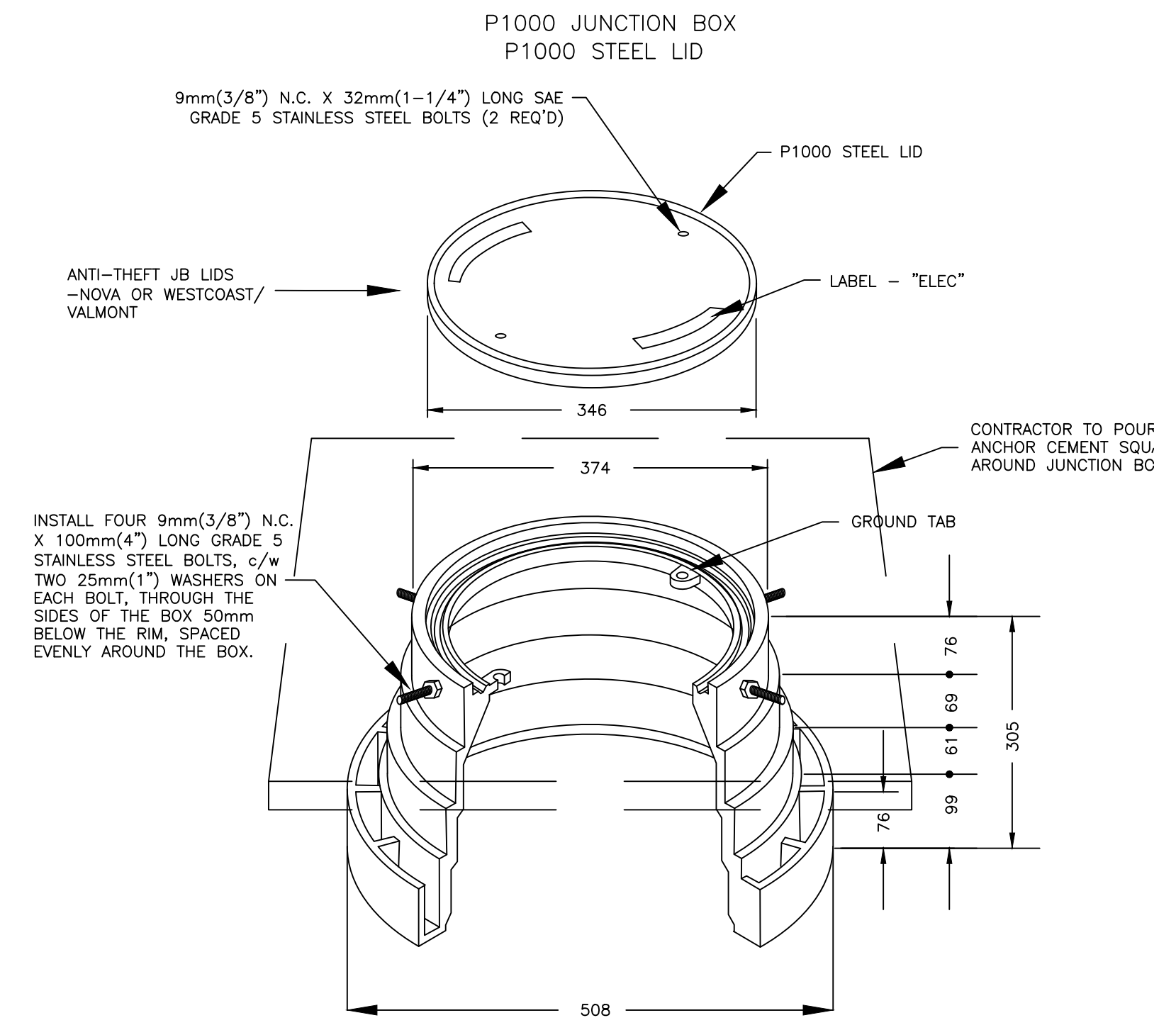
**TYPE SL LIGHT DETAIL**  
SCALE: NTS



**STREETLIGHT POLE WIRING DETAIL**  
N.T.S.

EQUIPMENT SCHEDULE				
ITEM	QTY	PART #	POLE	DESCRIPTION
IL	12	KICHLER 16141 (IN GROUND LIGHT)	N/A	12V, 3.5W LIGHT IN CONCRETE WALL
DL	21	KICHLER 16145SS (DECK LIGHT)	N/A	IN DECK BOARDS AND CONCRETE RAMP
PL	8	BLDS-SD-120-CSL-S40-30K-CRIB0-2-BK-SP-SPR7SC-SPA4	20' 5" SQR BLACK /W RECEPTACLE	TYPE 2 36W LIGHT ON 20ft POLE
CL	50m	TIVOLI LITESPHERE LSL-B-24-S-30-C-12 SHADE-HT-BK-BK-B	N/A	POLES, WIRES & STRING LIGHTS /w SHADES
FL	6	BEGA LED FLOOD LIGHT 77639	N/A	TREE FLOOD LIGHTS
BL	9	BEGA BOLLARD 84062	N/A	25.9W BOLLARD LIGHT
SL	1	SPOT LIGHTS MINZIP COMFORT 58832 W-UNV-09	N/A	SIGN LIGHT
RL	1	OPEN	N/A	ROPE LIGHT PER DETAIL 5 ON L6
PED.	2	VALID MANUFACTURING RV33AL ON MMCD TYPE A BASE	N/A	POWER PEDESTAL W/2x15A CFI + 1x30A
JB	5	OPEN	N/A	JUNCTION BOX PER DETAIL
KIOSK	1	OPEN	N/A	POWER KIOSK PER DETAILS

- NOTES:
- CONTRACTOR TO CONNECT TO EXISTING POWER AT INTERSECTION AS PER TOWN OF OLIVER SPECIFICATIONS.
  - CONTRACTOR SHALL INSTALL STREETLIGHTS, JUNCTION BOXES, AND CONDUIT AS PER:
    - MASTER MUNICIPAL CONTRACT DOCUMENTS (MMCD)
    - LATEST TOWN OF OLIVER SPECIFICATIONS
    - CANADIAN ELECTRICAL CODE
  - ALL CONDUIT TO BE RPVC. CONTRACTOR SHALL USE SAND BEDDING OF 3" BELOW AND ABOVE CONDUIT
  - A 150mm MARKER TAPE SHALL BE PLACED IN THE TRENCH CENTRED BETWEEN THE TOP OF THE CONDUIT AND FINISHED GRADE.
  - CONTRACTOR TO CONTACT ENGINEER PRIOR TO INSTALLATION AND TO ALLOW INSPECTION PRIOR TO BACKFILL.
  - CONTRACTOR TO PROVIDE AS-BUILT DRAWINGS.
  - EACH TREE RECEPTACLE SHALL HAVE A JUNCTION BOX (NOT SHOWN FOR CLARITY). JUNCTION BOXES SHALL BE INSTALLED IN NON-PEDESTRIAN AREAS WHEREVER POSSIBLE.
  - CONTRACTOR TO CO-ORDINATE ALL TRAFFIC SIGNAL WORK WITH TOWN OF OLIVER STAFF.
  - POWDER COATING SHALL BE PER SUPPLEMENTAL SPECIFICATION 09 97 30 (SEE CONTRACT DOCUMENTS). THIS APPLIES TO STREETLIGHT POLES AND VENDOR RECEPTACLE ENCLOSURES
  - IN THE EVENT OF ANY APPARENT CONFLICT OR OTHER FIELD ISSUE, THE CONTRACTOR IS TO NOTIFY THE ENGINEER AS SOON AS POSSIBLE.
  - ALL ALUMINUM WIRING CONNECTIONS TO HAVE SPLIT-BOLT CONNECTIONS AND LIBERAL USE OF ANTIOXIDANT GREASE.



**TYPICAL STREETLIGHT JUNCTION BOX DETAIL**  
SCALE: NTS



VERNON, BC  
TEL: (250) 275-4939  
FAX: (250) 275-4938

No.	DATE	DESCRIPTION	BY	APP
1	JUL 31/22	ISSUED FOR REVIEW	JB	TDK
ISSUES / REVISIONS				
CONSULTANT SEAL				

**TOWN OF OLIVER**  
**STATION STREET PARK DEVELOPMENT**

**ELECTRICAL DETAILS**

SCALE	AS SHOWN
DESIGN BY	JB
DRAWN BY	JB
DATE	JULY 2022
PROJECT REFERENCE No.	102-258
DRAWING No.	102-258 <b>E2</b>
SHEET	2 OF 2
REVISION	1